



0° - 11° LONG TEE

TOP/UPRIGHT SUPPORT

BASIC INFO

Number of Connections:

Three

Number of Set Screws:

Three

Finishes Available:

Galvanized

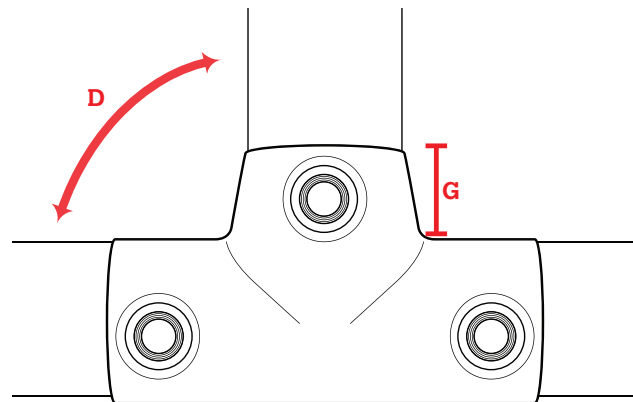
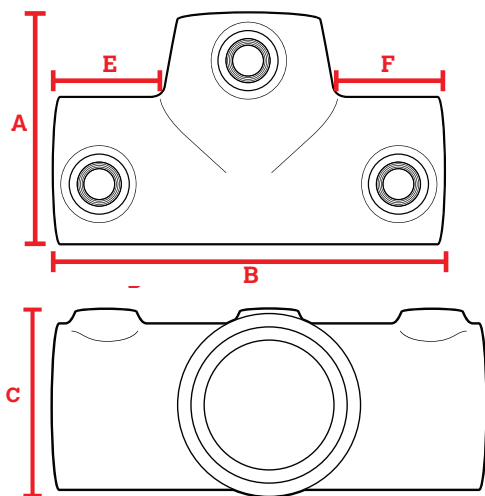
Piece Allow Movement:

No

The 0° to 11° Long Tee is very similar to the Three Socket Tee but the branching opening has a wider base to allow for joints that are greater or less than a 90° angle. Each opening is secured by a single screw which comes included with the fitting.

FEATURES:

- Hot-dipped galvanized coating for corrosion resistance
- Iron construction for durable performance
- Easy installation and removal, no permanent connections
- No special tools needed
- Use an Allen Wrench for connections
- Able to operate in temperatures ranging from -20°C to 300°C



Part #	Finish	Sizing	Set Screw (in x mm)	A (Total Height)	B (Total Width)	C (Total Length)	D (Angle)	E (Insertion Depth)	F (Insertion Depth)	Fits Pipe OD (in)	Weight (lbs)
675-506HC	Galvanized	1-1/4in	3/8 x 12.7	3.44	5.71	2.33	0°-11°	1.51	1.51	1.660	1.98