



0° - 11° ELBOW

CORNER SUPPORT

BASIC INFO

Number of Connections:

Two

Number of Set Screws:

Two

Finishes Available:

Galvanized

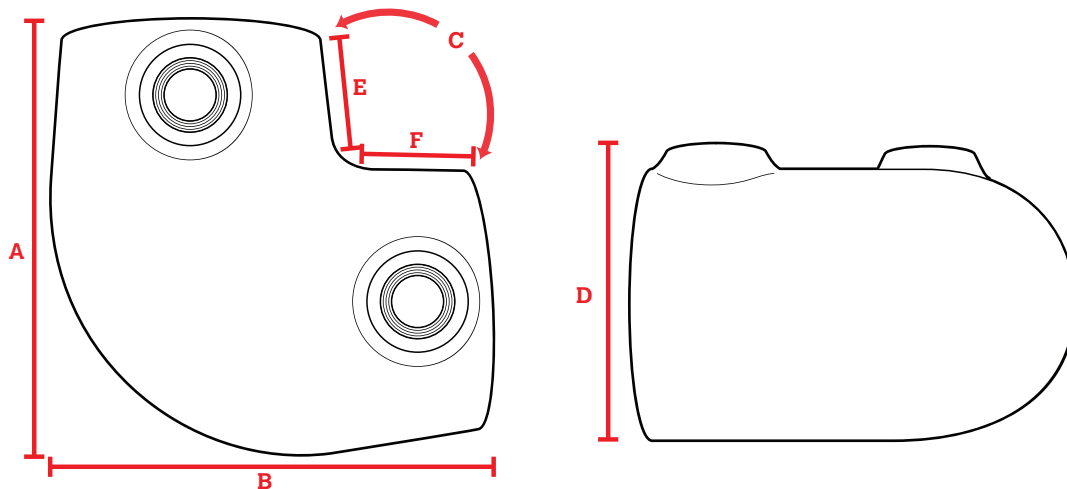
Piece Allow Movement:

No

The 0° to 11° Elbow is very similar to the 90° Elbow but the fitting openings are wider which allows you to create an angle joint that is greater or less than 90°. The fitting comes with two screws, each used at the fitting opening to secure the pipes to the fitting.

FEATURES:

- Hot-dipped galvanized coating for corrosion resistance
- Iron construction for durable performance
- Easy installation and removal, no permanent connections
- No special tools needed
- Use an Allen Wrench for connections
- Able to operate in temperatures ranging from -20°C to 300°C



Part #	Finish	Sizing	Set Screw (in x mm)	A (Total Height)	B (Total Width)	C (Angle)	D (Depth)	E (Insertion Depth)	F (Insertion Depth)	Fits Pipe OD (in)	Weight (lbs)
675-406HC	Galvanized	1-1/4in	3/8 x 12.7	3.58	3.58	0°-11°	2.33	1.02	1.02	1.660	1.40