



674-606HC | 1-1/4in

WALL FLANGE

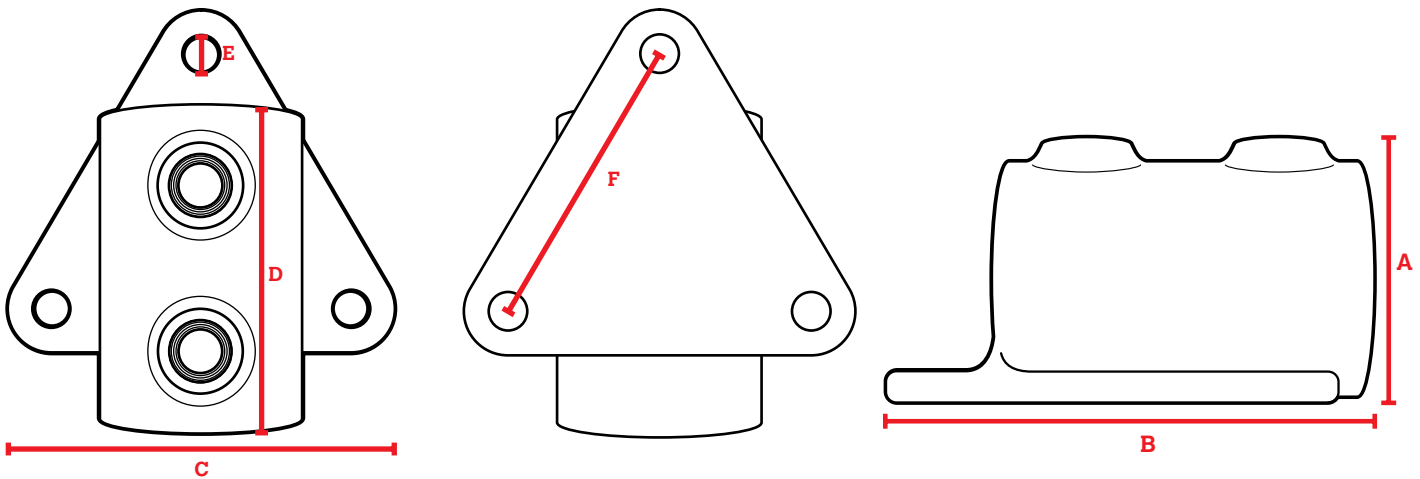
DESCRIPTION:

Wall Flange fittings are perfect for being an end secure point for a pipe. Built with a lip to keep the pipe from running through the fitting comes with two screws to firmly secure the pipe and fitting together. The wide triangle base has three screw holes in it to secure the fitting to your base.

FEATURES:

- Hot-Dipped Galvanized coating for corrosion resistance
- Iron construction for durable performance
- Easy installation and removal, no permanent connections
- No special tools needed
- Use an Allen Wrench for connections
- Able to operate in temperatures ranging from -20°C to 300°C

DIMENSIONAL DATA:



PART #	SIZING	INSTALLATION SCREW (IN X MM)	A (Total Height)	B (Total Width)	C (Total Length)	D (Insert Depth)	E (Hole Diameter)	F	FITS PIPE OD (IN)	WEIGHT (LBS)
674-606HC	1-1/4in	3/8 x 12.7	2.35	4.27	4.23	2.83	0.39	3.19	1.660	1.67

CERTIFICATIONS & SAFETY:

- Materials meets ASTM A-197 Standard
- Not for Plumbing Applications
- Not for Scaffolding Applications
- Made to fit with SteelTek Pipe

California Prop 65 Warning:

This product contains chemicals including lead known to the State of California to cause cancer and birth defects or other reproductive harm. Wash hands after use.