

TWO SOCKET CROSS



DESCRIPTION:

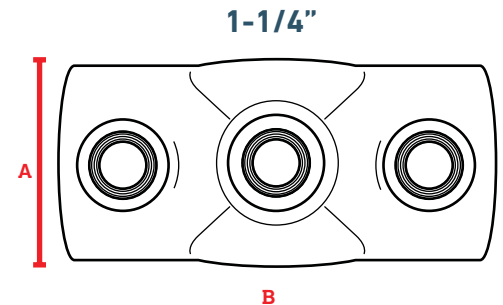
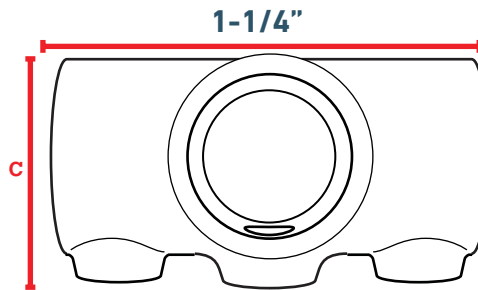
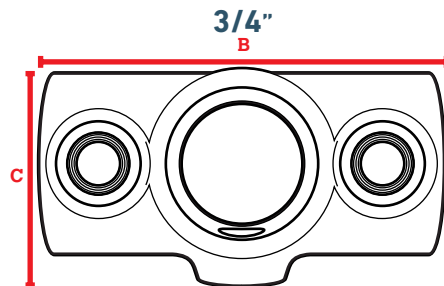
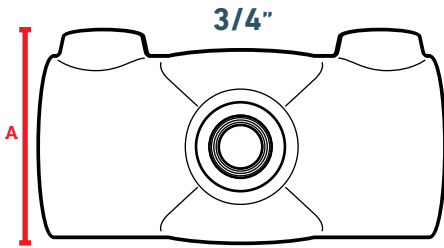
The Two Socket Cross makes two pipe ends meet a vertically running pipe to form a cross. This item is commonly used as a middle support in railing or fencing. Three screws come with this fitting for a secure connection.

671-904HC | 3/4in
671-906HC | 1-1/4in
681-904HC | 3/4in

FEATURES:

- Hot-Dipped Galvanized or Black Electroplated coating for corrosion resistance
- Iron construction for durable performance
- Easy installation and removal, no permanent connections
- No special tools needed
- Use an Allen Wrench for connections
- Able to operate in temperatures ranging from -20°C to 300°C

DIMENSIONAL DATA:



PART #	FINISH	SIZING	INSTALLATION SCREW (IN X MM)	A (Total Height)	B (Total Width)	C (Total Depth)	FITS PIPE OD (IN)	WEIGHT (LBS)
671-904HC	Galvanized	3/4in	1/4 x 12.5	1.71	3.15	1.71	1.050	0.60
671-906HC	Galvanized	1-1/4in	3/8 x 12.7	2.33	4.72	2.33	1.660	1.36
681-904HC	Black	3/4in	1/4 x 12.5	1.71	3.15	1.71	1.050	0.60

CERTIFICATIONS & SAFETY:

- Materials meets ASTM A-197 Standard
- Not for Plumbing Applications
- Not for Scaffolding Applications
- Made to fit with SteelTek Pipe

California Prop 65 Warning:

This product contains chemicals including lead known to the State of California to cause cancer and birth defects or other reproductive harm. Wash hands after use.