



THREE SOCKET TEE

DESCRIPTION:

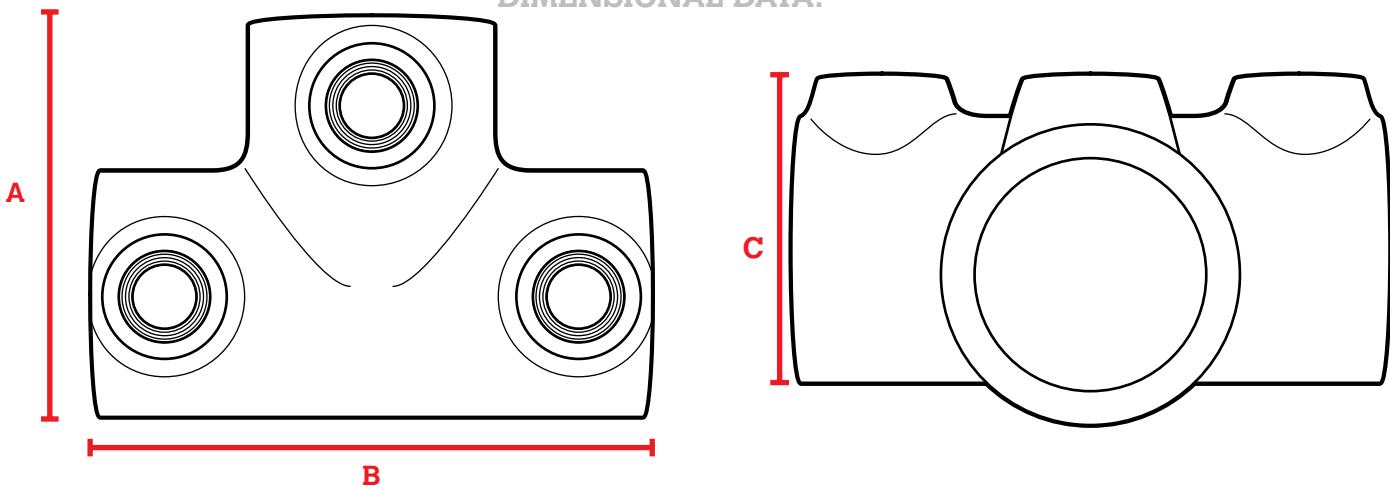
The Three Socket Tee is designed to create a 90-degree joint between two pipes. This item allows for a secure joining of a top rail to an intersecting bottom rail. Three screws are included with this fitting to secure both pipes within the fitting.

- 670-402HC | 3/8in
- 670-404HC | 3/4in
- 670-406HC | 1-1/4in
- 680-402HC | 3/8in
- 680-404HC | 3/4

FEATURES:

- Hot-Dipped Galvanized or Black Electroplated coating for corrosion resistance
- Iron construction for durable performance
- Easy installation and removal, no permanent connections
- No special tools needed
- Use an Allen Wrench for connections
- Able to operate in temperatures ranging from -20°C to 300°C

DIMENSIONAL DATA:



PART #	FINISH	SIZING	INSTALLATION SCREW (IN X MM)	A (Total Height)	B (Total Width)	C (Total Depth)	FITS PIPE OD (IN)	WEIGHT (LBS)
670-402HC	Galvanized	3/8in	1/8 x 10	1.72	2.39	1.20	0.68	0.37
670-404HC	Galvanized	3/4in	1/4 x 12.5	2.34	3.23	1.67	1.050	0.71
670-406HC	Galvanized	1-1/4in	3/8 x 12.7	3.45	4.74	2.33	1.660	1.74
680-402HC	Black	3/8in	1/8 x 10	1.72	2.39	1.20	0.68	0.37
680-404HC	Black	3/4in	1/4 x 12.5	2.34	3.23	1.67	1.050	0.71

CERTIFICATIONS & SAFETY:

- Materials meets ASTM A-197 Standard
- Not for Plumbing Applications
- Not for Scaffolding Applications
- Made to fit with SteelTek Pipe

California Prop 65 Warning:

This product contains chemicals including lead known to the State of California to cause cancer and birth defects or other reproductive harm. Wash hands after use.