



THREE SOCKET CROSS

DESCRIPTION:

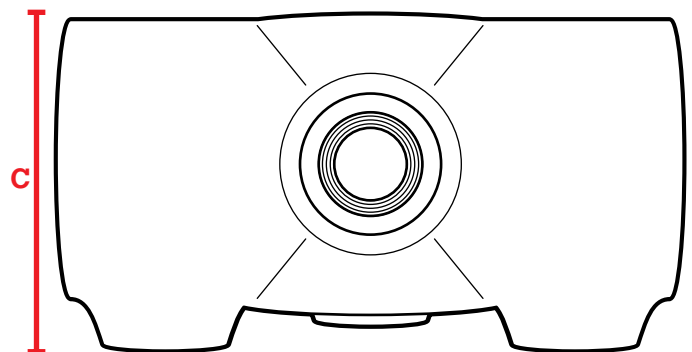
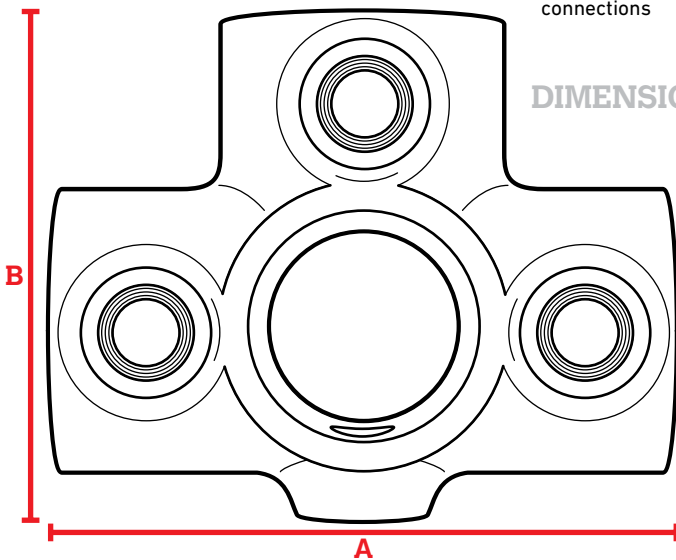
The Three Socket Cross is a great piece for tying together several pipes in a large project. This fitting allows three pipes to connect from three different directions to a central vertical running pipe. Each pipe connection point comes with one screw for a secure connection to the fitting.

677-604HC | 3/4in
677-606HC | 1-1/4in
687-604HC | 3/4in

FEATURES:

- Hot-Dipped Galvanized or Black Elctrophoretic coating for corrosion resistance
- Iron construction for durable performance
- Easy installation and removal, no permanent connections
- No special tools needed
- Use an Allen Wrench for connections
- Able to operate in temperatures ranging from -20°C to 300°C

DIMENSIONAL DATA:



PART #	FINISH	SIZING	INSTALLATION SCREW (IN X MM)	A (Total Height)	B (Total Width)	C (Total Length)	FITS PIPE OD (IN)	WEIGHT (LBS)
677-604HC	Galvanized	3/4in	1/4 x 12.5	3.15	2.54	1.71	1.050	0.74
677-606HC	Galvanized	1-1/4in	3/8 x 12.7	4.72	3.61	2.33	1.660	1.61
687-604HC	Black	3/4in	1/4 x 12.5	3.15	2.54	1.71	1.050	0.74

CERTIFICATIONS & SAFETY:

- Materials meets ASTM A-197 Standard
- Not for Plumbing Applications
- Not for Scaffolding Applications
- Made to fit with SteelTek Pipe

California Prop 65 Warning:

This product contains chemicals including lead known to the State of California to cause cancer and birth defects or other reproductive harm. Wash hands after use.