



STANDARD RAIL FLANGE

DESCRIPTION:

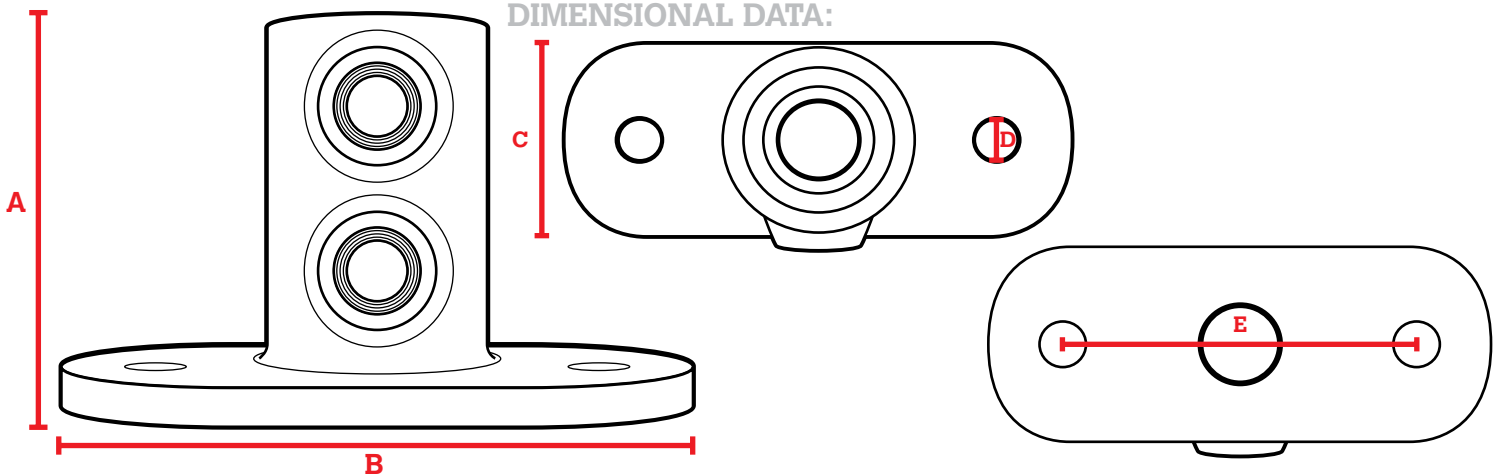
The Standard Railing Flange is great for providing a base for support railing. This fitting is forged to allow for heavy duty screws placement and two screws are included for a solid connection with the pipe creating a secure railing base.

673-202HC | 3/8in
 673-204HC | 3/4in
 673-206HC | 1-1/4in
 683-202HC | 3/8in
 683-204HC | 3/4in

FEATURES:

- Hot-Dipped Galvanized or Black Electroplated coating for corrosion resistance
- Iron construction for durable performance
- Easy installation and removal, no permanent connections
- No special tools needed
- Use an Allen Wrench for connections
- Able to operate in temperatures ranging from -20°C to 300°C

DIMENSIONAL DATA:



PART #	FINISH	SIZING	INSTALLATION SCREW (IN X MM)	A (Height)	B (Length)	C (Width)	D (Hole Diameter)	E	FITS PIPE OD (IN)	WEIGHT (LBS)
673-202HC	Galvanized	3/8in	1/8 x 10	1.96	2.91	1.58	0.35	1.80	0.68	0.43
673-204HC	Galvanized	3/4in	1/4 x 12.5	2.56	4.13	2.05	0.45	2.99	1.050	0.88
673-206HC	Galvanized	1-1/4in	3/8 x 12.7	3.46	5.43	2.76	0.57	3.86	1.660	1.87
683-202HC	Black	3/8in	1/8 x 10	1.96	2.91	1.58	0.35	1.80	0.68	0.43
683-204HC	Black	3/4in	1/4 x 12.5	2.56	4.13	2.05	0.45	2.99	1.050	0.88

CERTIFICATIONS & SAFETY:

- Materials meets ASTM A-197 Standard
- Not for Plumbing Applications
- Not for Scaffolding Applications
- Made to fit with SteelTek Pipe

California Prop 65 Warning:

This product contains chemicals including lead known to the State of California to cause cancer and birth defects or other reproductive harm. Wash hands after use.