



## GATE PIN

### DESCRIPTION:

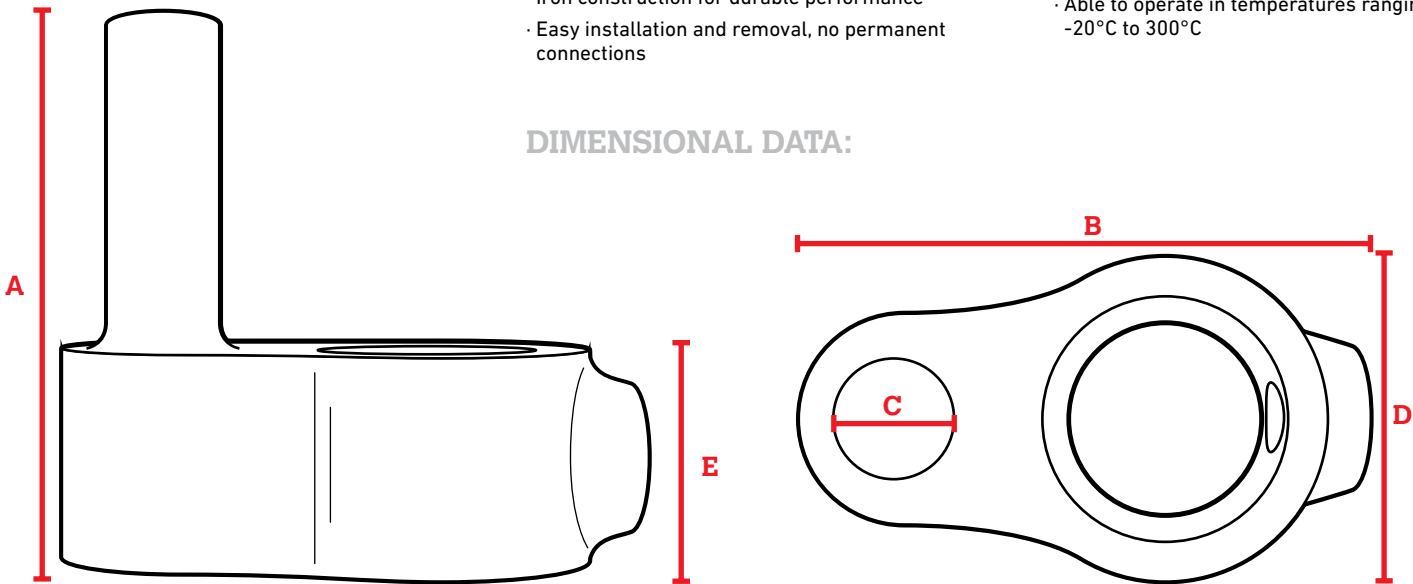
The Gate Pin is designed to work with the Gate Eye to create a swivel motion. The Gate Pin fits securely around the pipe and has a raised pin designed to fit into the receiving point on the Gate Eye creating a working hinge from two fittings. This fitting comes with one screw.

**674-004HC** | 3/4in  
**674-006HC** | 1-1/4in  
**684-004HC** | 3/4in

### FEATURES:

- Hot-Dipped Galvanized or Black Electroplated coating for corrosion resistance
- Iron construction for durable performance
- Easy installation and removal, no permanent connections
- No special tools needed
- Use an Allen Wrench for connections
- Able to operate in temperatures ranging from -20°C to 300°C

### DIMENSIONAL DATA:



PART #	FINISH	SIZING	INSTALLATION SCREW (IN X MM)	A (Total Height)	B (Total Width)	C (Pin Diameter)	D (Depth)	E	FITS PIPE OD (IN)	WEIGHT (LBS)
674-004HC	Galvanized	3/4in	1/4 x 12.5	2.48	2.66	0.50	1.50	1.03	1.050	0.53
674-006HC	Galvanized	1-1/4in	3/8 x 12.7	2.48	3.24	0.47	2.15	1	1.660	0.65
684-004HC	Black	3/4in	1/4 x 12.5	2.48	2.66	0.50	1.50	1.03	1.050	0.53

### CERTIFICATIONS & SAFETY:

- Materials meets ASTM A-197 Standard
- Not for Plumbing Applications
- Not for Scaffolding Applications
- Made to fit with SteelTek Pipe

#### California Prop 65 Warning:

This product contains chemicals including lead known to the State of California to cause cancer and birth defects or other reproductive harm. Wash hands after use.