



GATE EYE

DESCRIPTION:

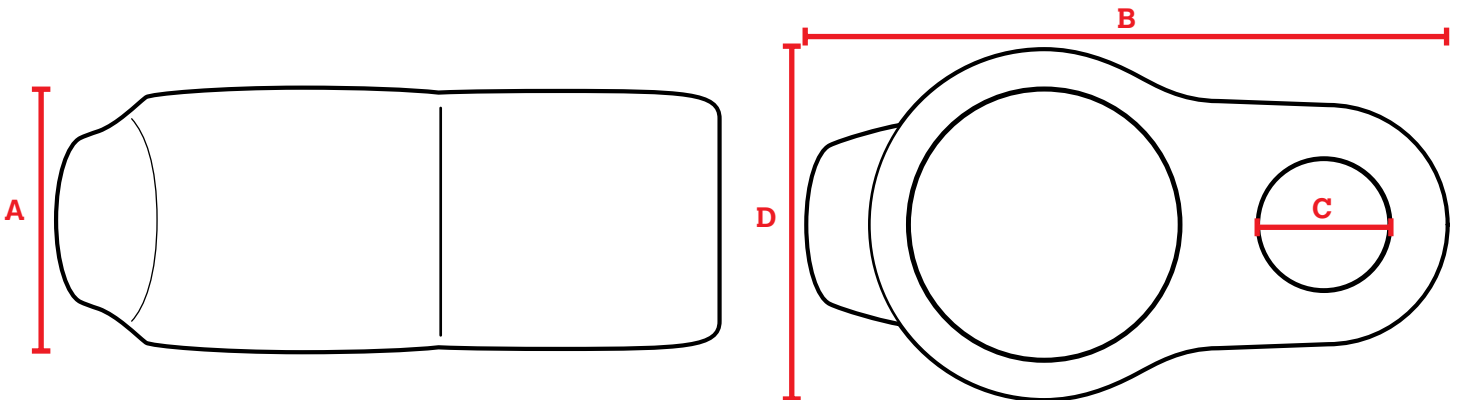
The Gate Eye is designed to work with the Gate Pin to create a unique fitting allowing for motion. Ideally used as part of a hinge system, the Gate Eye fits securely around the pipe to create a secure base for the swiveling motion to occur. One screw is included with this fitting.

673-804HC | 3/4in
673-806HC | 1-1/4in
683-804HC | 3/4in

FEATURES:

- Hot-Dipped Galvanized or Black Electroplated coating for corrosion resistance
- Iron construction for durable performance
- Easy installation and removal, no permanent connections
- No special tools needed
- Use an Allen Wrench for connections
- Able to operate in temperatures ranging from -20°C to 300°C

DIMENSIONAL DATA:



PART #	FINISH	SIZING	INSTALLATION SCREW (IN X MM)	A (Total Height)	B (Total Width)	C (Pin Hole Diameter)	D (Depth)	FITS PIPE OD (IN)	WEIGHT (LBS)
673-804HC	Galvanized	3/4in	1/4 x 12.5	0.98	2.61	0.55	1.46	1.050	0.25
673-806HC	Galvanized	1-1/4in	3/8 x 12.7	0.98	3.24	0.55	2.15	1.660	0.46
683-804HC	Black	3/4	1/4 x 12.5	0.98	2.61	0.55	1.46	1.050	0.25

CERTIFICATIONS & SAFETY:

- Materials meets ASTM A-197 Standard
- Not for Plumbing Applications
- Not for Scaffolding Applications
- Made to fit with SteelTek Pipe

California Prop 65 Warning:

This product contains chemicals including lead known to the State of California to cause cancer and birth defects or other reproductive harm. Wash hands after use.