



## FOUR SOCKET CROSS

### DESCRIPTION:

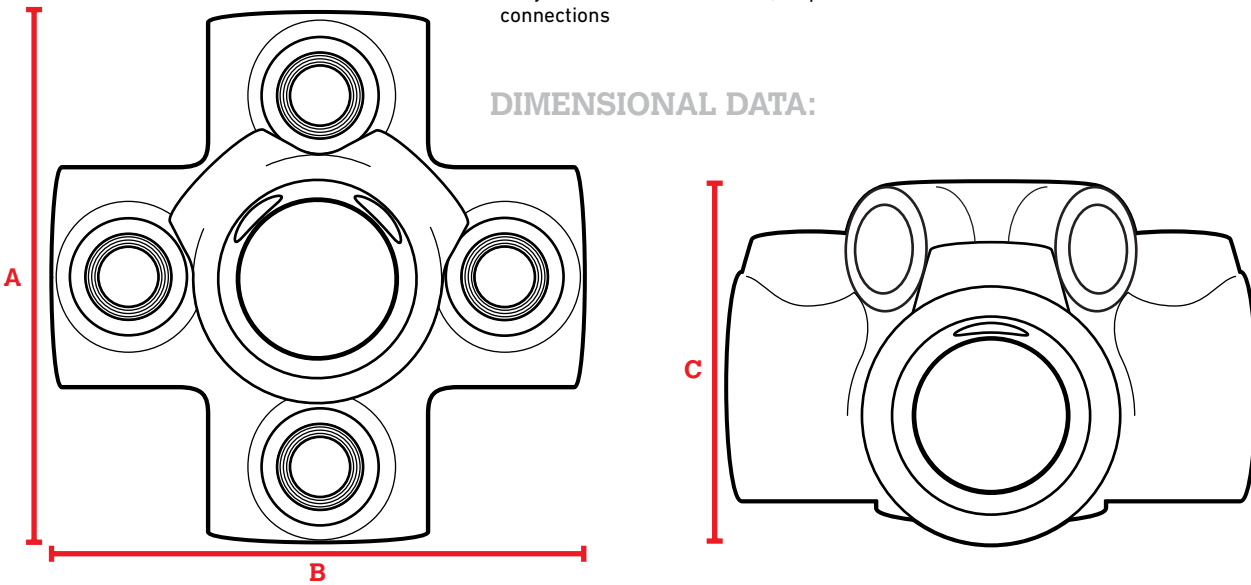
The Four Socket Cross allows pipes to be joined together from four directions. The central opening allows a pipe to follow through the opening with the other openings let pipe ends be secured next to the central pipe. Each pipe is secured to the fitting by one screw which is included with the fitting.

675-804HC | 3/4in  
 675-806HC | 1-1/4in  
 685-804HC | 3/4in

### FEATURES:

- Hot-Dipped Galvanized or Black Ectrophoretic coating for corrosion resistance
- Iron construction for durable performance
- Easy installation and removal, no permanent connections
- No special tools needed
- Use an Allen Wrench for connections
- Able to operate in temperatures ranging from -20°C to 300°C

### DIMENSIONAL DATA:



PART #	FINISH	SIZING	INSTALLATION SCREW (IN X MM)	A (Total Height)	B (Total Width)	C (Total Length)	FITS PIPE OD (IN)	WEIGHT (LBS)
675-804HC	Galvanized	3/4in	1/4 x 12.5	3.23	3.23	1.67	1.050	0.95
675-806HC	Galvanized	1-1/4in	3/8 x 12.7	4.72	4.72	2.33	1.660	2.70
685-804HC	Black	3/4in	1/4 x 12.5	3.23	3.23	1.67	1.050	0.95

### CERTIFICATIONS & SAFETY:

- Materials meets ASTM A-197 Standard
- Not for Plumbing Applications
- Not for Scaffolding Applications
- Made to fit with SteelTek Pipe

#### California Prop 65 Warning:

This product contains chemicals including lead known to the State of California to cause cancer and birth defects or other reproductive harm. Wash hands after use.