



## FLANGE

### DESCRIPTION:

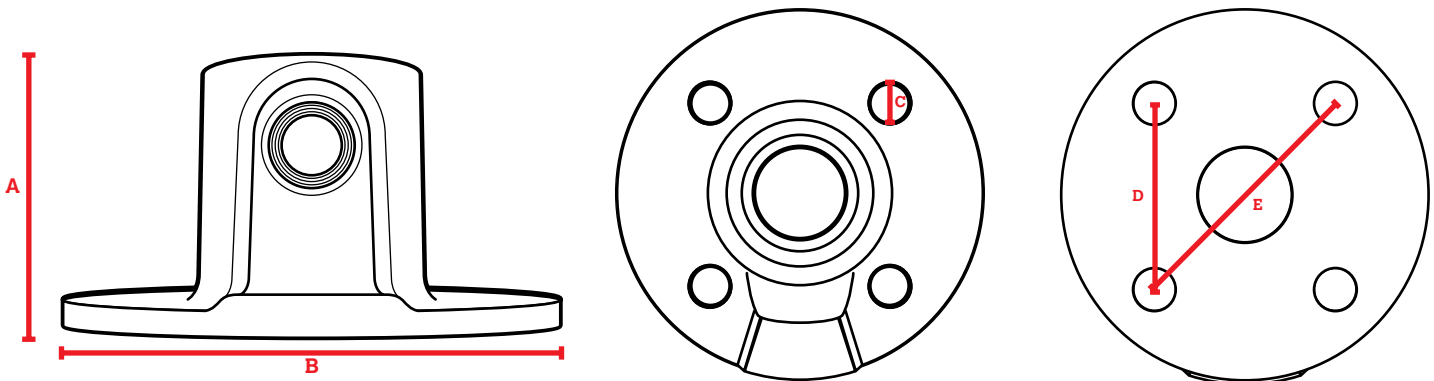
Every project needs a strong base, and the strongest is the Flange. The Flange lets a pipe slide into the base of the fitting for maximum support. The base also comes with four holes allowing for the flange to be screwed into place for a solid constructed project.

### FEATURES:

- Hot-Dipped Galvanized or Black Ectrophoretic coating for corrosion resistance
- Iron construction for durable performance
- Easy installation and removal, no permanent connections
- No special tools needed
- Use an Allen Wrench for connections
- Able to operate in temperatures ranging from -20°C to 300°C

- 673-102HC | 3/8in
- 673-104HC | 3/4in
- 673-106HC | 1-1/4in
- 683-102HC | 3/8in
- 683-104HC | 3/4in

### DIMENSIONAL DATA:



PART #	FINISH	SIZING	INSTALLATION SCREW (IN X MM)	A (Total Height)	B (Total Width)	C (Screw Hole Diameter)	D	E	FITS PIPE OD (IN)	WEIGHT (LBS)
673-102HC	Galvanized	3/8in	1/8 x 10	1.30	2.77	0.26	1.30	1.83	0.68	0.52
673-104HC	Galvanized	3/4in	1/4 x 12.5	1.65	3.27	0.31	1.56	2.17	1.050	0.63
673-106HC	Galvanized	1-1/4in	3/8 x 12.7	1.97	4.02	0.26	2.12	3.08	1.660	1.36
683-102HC	Black	3/8in	1/8 x 10	1.30	2.77	0.26	1.30	1.83	0.68	0.52
683-104HC	Black	3/4in	1/4 x 12.5	1.65	3.27	0.31	1.56	2.17	1.050	0.63

### CERTIFICATIONS & SAFETY:

- Materials meets ASTM A-197 Standard
- Not for Plumbing Applications
- Not for Scaffolding Applications
- Made to fit with SteelTek Pipe

#### California Prop 65 Warning:

This product contains chemicals including lead known to the State of California to cause cancer and birth defects or other reproductive harm. Wash hands after use.