



678-604 | 3/4in

DIRECTIONAL CASTER

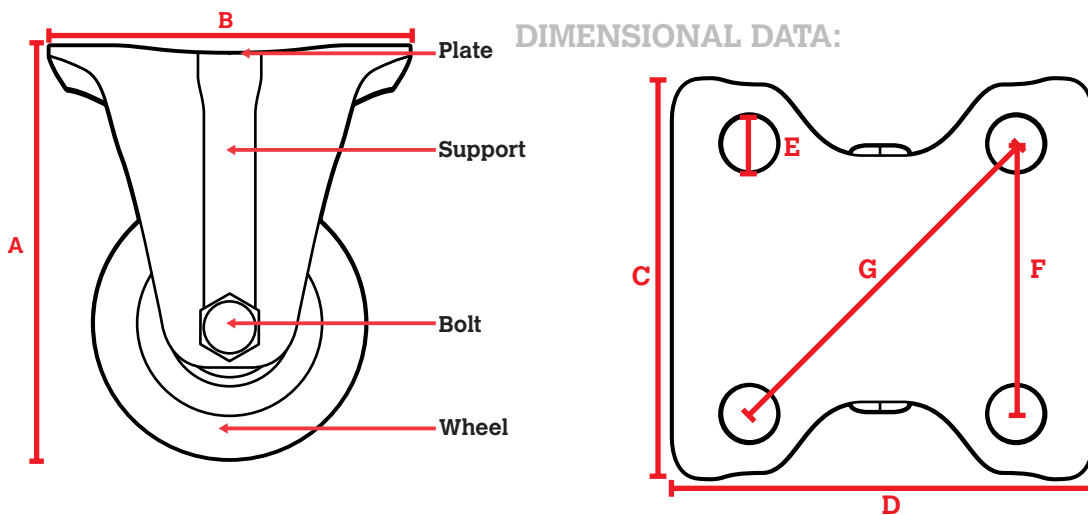
DESCRIPTION:

The Directional Caster can be used for various projects that want to be moved around. This Caster can only be moved in one direction. This fitting fit into the bottom of the Flange fittings and are connected with nuts and bolts.

FEATURES:

- Directional Caster Wheel with no Brake
- Wheel and Rim Material (PVC)
- Wheel with anti-dust stainless steel double bearing
- Deep groove ball bearing on the fitting union.

DIMENSIONAL DATA:



| PART # | SIZING | A (Total Height) | B (Total Width) | C (Plate Length) | D (Plate Width) | E (Screw Hole Diameter) | F | G | FITS PIPE OD (IN) | WEIGHT (LBS) |
|---------|--------|---------------------|--------------------|---------------------|--------------------|----------------------------|------|------|-------------------|--------------|
| 678-604 | 3/4in | 3 | 2.75 | 2.1 | 1.96 | 0.98 | 1.30 | 1.83 | 1.050 | 0.47 |

| PLATE (B-C) | SUPPORT | BOLT | WHEEL |
|--------------|--------------|----------------|--------|
| Carbon Steel | Carbon Steel | Stainles Steel | Rubber |

CERTIFICATIONS & SAFETY:

- Materials meets ASTM A-197 Standard
- Not for Plumbing Applications
- Not for Scaffolding Applications
- Made to fit with SteelTek Pipe

California Prop 65 Warning:

This product contains chemicals including lead known to the State of California to cause cancer and birth defects or other reproductive harm. Wash hands after use.