



STRAIGHT COUPLING

DESCRIPTION:

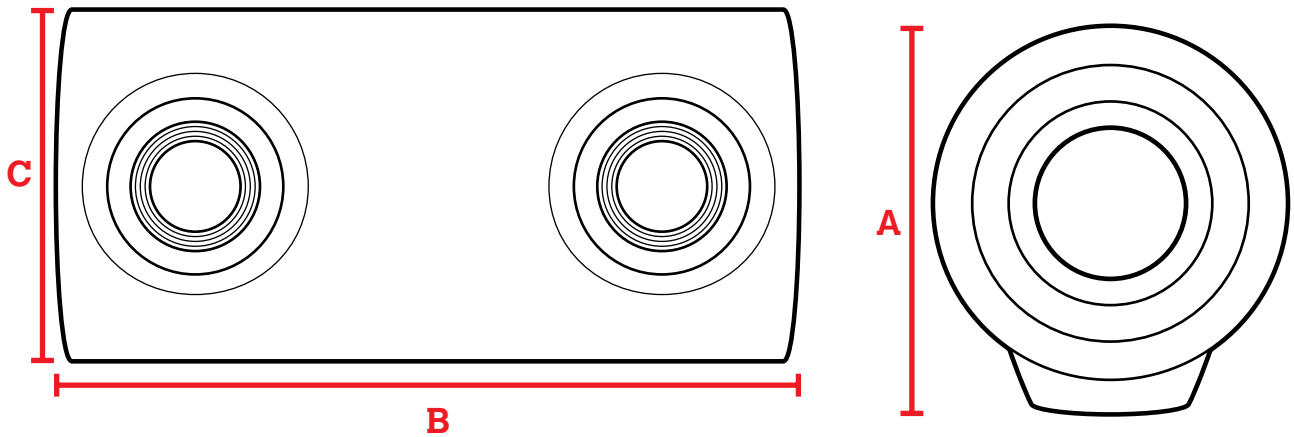
The Straight Coupling is a basic fitting allowing for two pipes to be joined into one system. The fitting allows for two pipes to slide through the fitting and meet in the middle with a screw at each end to secure the pipes and fitting into one solid joint. This fitting comes with two screws.

- 674-902HC | 3/8in
- 674-904HC | 3/4in
- 674-906HC | 1-1/4in
- 684-902HC | 3/8in
- 684-904HC | 3/4in

FEATURES:

- Hot-Dipped Galvanized or Black Electroplated coating for corrosion resistance
- Iron construction for durable performance
- Easy installation and removal, no permanent connections
- No special tools needed
- Use an Allen Wrench for connections
- Able to operate in temperatures ranging from -20°C to 300°C

DIMENSIONAL DATA:



PART #	FINISH	SIZING	INSTALLATION SCREW (IN X MM)	A (Total Height)	B (Total Width)	C (Depth)	FITS PIPE OD (IN)	WEIGHT (LBS)
674-902HC	Galvanized	3/8in	1/8 x 10	1.21	2.38	1.03	0.68	0.27
674-904HC	Galvanized	3/4in	1/4 x 12.5	1.67	2.99	1.50	1.050	0.59
674-906HC	Galvanized	1-1/4in	3/8 x 12.7	2.33	4.02	2.17	1.660	1.20
684-902HC	Black	3/8in	1/8 x 10	1.21	2.38	1.03	0.68	0.27
684-904HC	Black	3/4in	1/4 x 12.5	1.67	2.99	1.50	1.050	0.59

CERTIFICATIONS & SAFETY:

- Materials meets ASTM A-197 Standard
- Not for Plumbing Applications
- Not for Scaffolding Applications
- Made to fit with SteelTek Pipe

California Prop 65 Warning:

This product contains chemicals including lead known to the State of California to cause cancer and birth defects or other reproductive harm. Wash hands after use.