



90° ELBOW

DESCRIPTION:

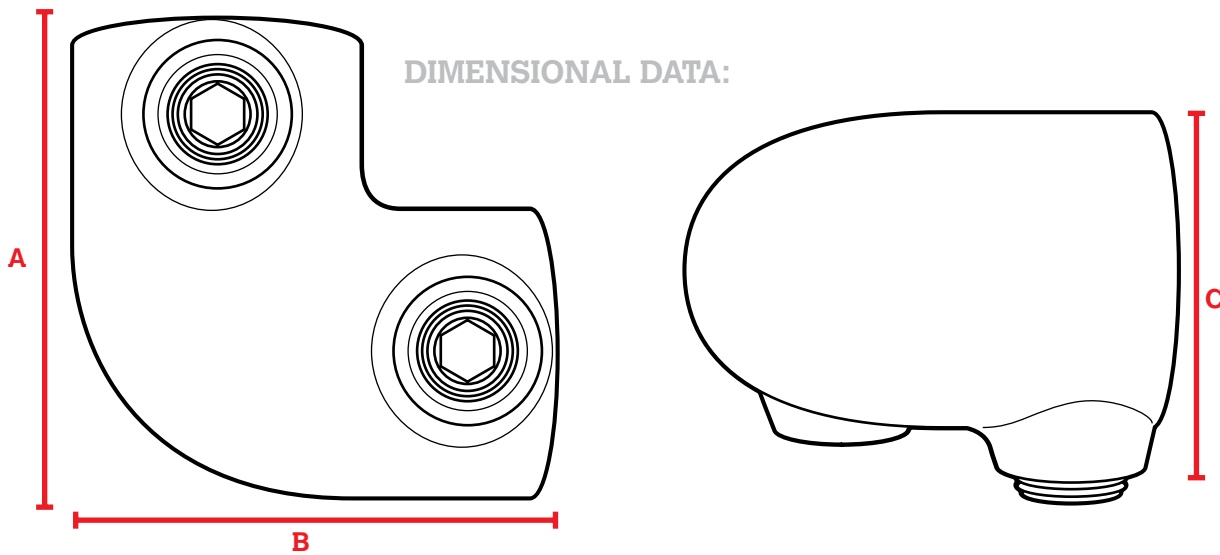
The 90-Degree Elbow has a variety of uses but its primary use is to change the direction of two pipes to a 90-degree angle. Two screws are included with the fitting. Each end of the fitting allows for a pipe end to be inserted to meet the opposite pipe end.

672-502HC | 3/8in
 672-504HC | 3/4in
 672-506HC | 1-1/4in
 682-502HC | 3/8in
 682-504HC | 3/4in

FEATURES:

- Hot-Dipped Galvanized or Black Electroplated coating for corrosion resistance
- Iron construction for durable performance
- Easy installation and removal, no permanent connections
- No special tools needed
- Use an Allen Wrench for connections
- Able to operate in temperatures ranging from -20°C to 300°C

DIMENSIONAL DATA:



| PART # | FINISH | SIZING | INSTALLATION SCREW (IN X MM) | A (Total Height) | B (Total Width) | C (Total Depth) | FITS PIPE OD (IN) | WEIGHT (LBS) |
|-----------|------------|---------|------------------------------|------------------|-----------------|-----------------|-------------------|--------------|
| 672-502HC | Galvanized | 3/8in | 1/8 x 10 | 1.69 | 1.69 | 1.19 | 0.68 | 0.26 |
| 672-504HC | Galvanized | 3/4in | 1/4 x 12.5 | 2.34 | 2.34 | 1.67 | 1.050 | 0.52 |
| 672-506HC | Galvanized | 1-1/4in | 3/8 x 12.7 | 3.44 | 3.44 | 2.33 | 1.660 | 1.31 |
| 682-502HC | Black | 3/8in | 1/8 x 10 | 1.69 | 1.69 | 1.19 | 0.68 | 0.26 |
| 682-504HC | Black | 3/4in | 1/4 x 12.5 | 2.34 | 2.34 | 1.67 | 1.050 | 0.52 |

CERTIFICATIONS & SAFETY:

- Materials meets ASTM A-197 Standard
- Not for Plumbing Applications
- Not for Scaffolding Applications
- Made to fit with SteelTek Pipe

California Prop 65 Warning:

This product contains chemicals including lead known to the State of California to cause cancer and birth defects or other reproductive harm. Wash hands after use.