



0° - 45° THREE SOCKET CUSTOM TEE

DESCRIPTION:

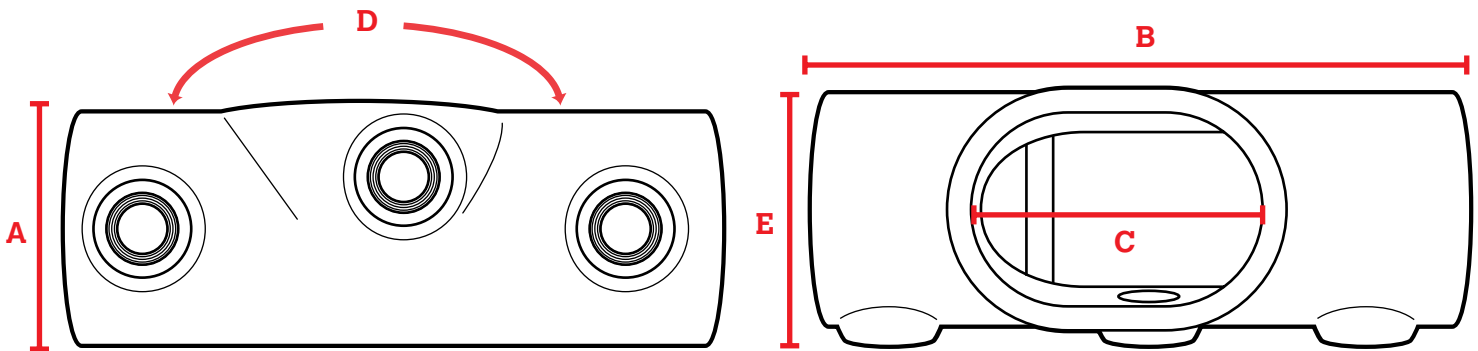
The 0-45-Degree Three Socket Tee allows for vertical support to an angled running pipe. The branching outlet of the fitting allows for a variable pipe positioning which lets you adjust the pipe to where it needs to be for your project.

672-706HC | 1-1/4in

FEATURES:

- Hot-Dipped Galvanized coating for corrosion resistance
- Iron construction for durable performance
- Easy installation and removal, no permanent connections
- No special tools needed
- Use an Allen Wrench for connections
- Able to operate in temperatures ranging from -20°C to 300°C

DIMENSIONAL DATA:



PART #	SIZING	INSTALLATION SCREW (IN X MM)	A (Total Height)	B (Total Width)	C (Top Diameter)	D (Angle)	E (Depth)	FITS PIPR OD (IN)	WEIGHT (LBS)
672-706HC	1-1/4in	3/8 x 12.7	2.17	5.79	2.53	45°	2.33	1.660	1.80

CERTIFICATIONS & SAFETY:

- Materials meets ASTM A-197 Standard
- Not for Plumbing Applications
- Not for Scaffolding Applications
- Made to fit with SteelTek Pipe

California Prop 65 Warning:

This product contains chemicals including lead known to the State of California to cause cancer and birth defects or other reproductive harm. Wash hands after use.