



0° - 11° TWO SOCKET CROSS

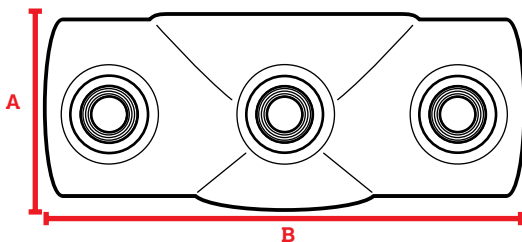
DESCRIPTION:

The 0 to 11-degree Socket Cross allows a middle pipe to run through the fitting with two pipes to attach inside the fitting on both sides of the central pipe. The central connection point has a wider opening allowing for variable angling of the fitting. Each pipe is secured to the fitting by one screw which is included with the fitting.

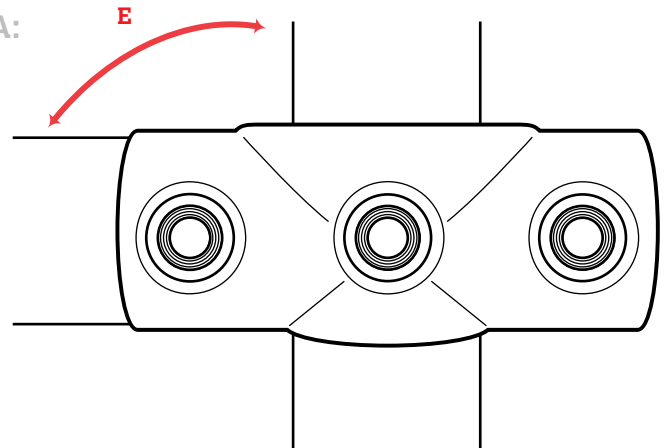
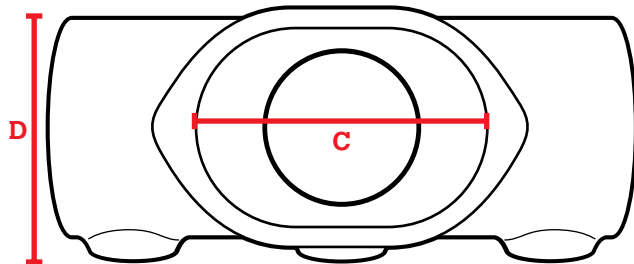
675-605HC | 1-1/4in

FEATURES:

- Hot-Dipped Galvanized coating for corrosion resistance
- Iron construction for durable performance
- Easy installation and removal, no permanent connections
- No special tools needed
- Use an Allen Wrench for connections
- Able to operate in temperatures ranging from -20°C to 300°C



DIMENSIONAL DATA:



PART #	SIZING	INSTALLATION SCREW (IN X MM)	A (Total Height)	B (Total Width)	C (Large Hole Diameter)	D (Depth)	E (Angle)	FITS PIPE OD (IN)	WEIGHT (LBS)
675-605HC	1-1/4in	3/8 x 12.7	2.17	5.51	2.68	2.33	0°-11°	1.660	1.55

CERTIFICATIONS & SAFETY:

- Materials meets ASTM A-197 Standard
- Not for Plumbing Applications
- Not for Scaffolding Applications
- Made to fit with SteelTek Pipe

California Prop 65 Warning:

This product contains chemicals including lead known to the State of California to cause cancer and birth defects or other reproductive harm. Wash hands after use.