



0° - 11° LONG TEE

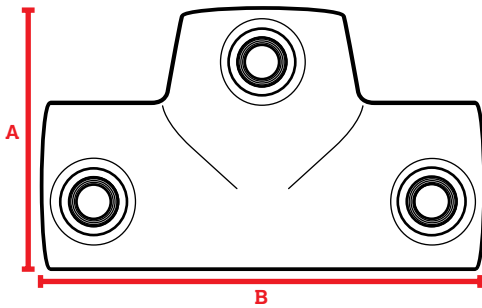
DESCRIPTION:

The 0 to 11-degree Long Tee is very similar to the Three Socket Tee but the branching opening has a wider base to allow for joints that are greater or less than a 90-degree angle. Each opening is secured by a single screw which comes included with the fitting.

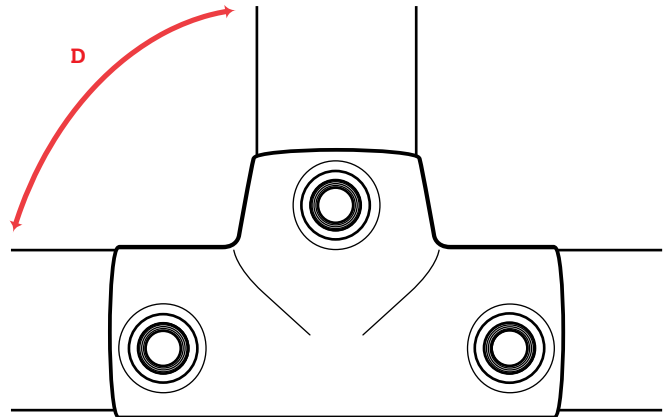
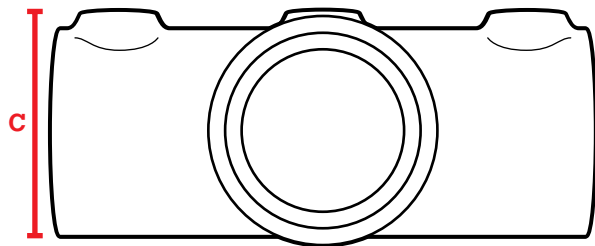
675-506HC | 1-1/4in

FEATURES:

- Hot-Dipped Galvanize coating for corrosion resistance
- Iron construction for durable performance
- Easy installation and removal, no permanent connections
- No special tools needed
- Use an Allen Wrench for connections
- Able to operate in temperatures ranging from -20°C to 300°C



DIMENSIONAL DATA:



PART #	SIZING	INSTALLATION SCREW (IN X MM)	A (Total Height)	B (Total Width)	C (Total Length)	D (Angle)	FITS PIPE OD (IN)	WEIGHT (LBS)
675-506HC	1-1/4in	3/8 x 12.7	3.44	5.71	2.33	0°-11°	1.660	1.98

CERTIFICATIONS & SAFETY:

- Materials meets ASTM A-197 Standard
- Not for Plumbing Applications
- Not for Scaffolding Applications
- Made to fit with SteelTek Pipe

California Prop 65 Warning:

This product contains chemicals including lead known to the State of California to cause cancer and birth defects or other reproductive harm. Wash hands after use.